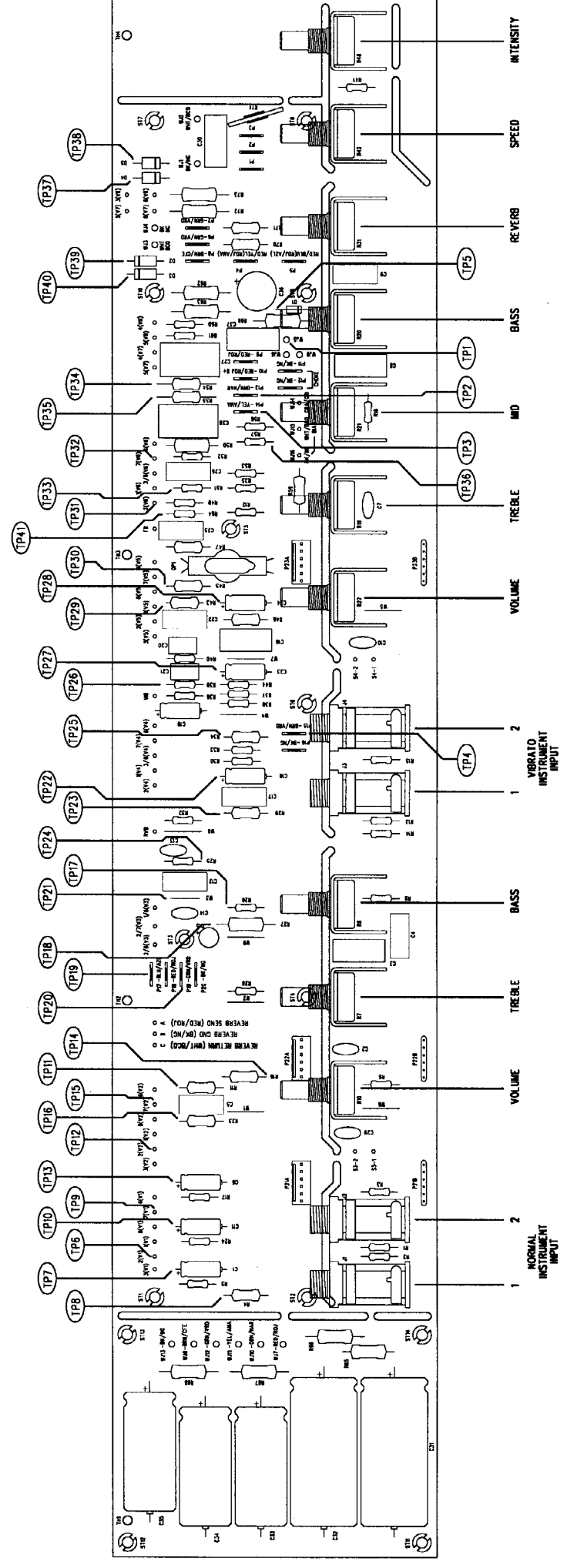


1 2 3 4 5 6 7 8

REVISIONS			
REV.	DESCRIPTION	DATE	APPROVED
A	PR469	20-JUL-00	MCU
B	EC 2539	24-OCT-00	MCU



SERVICE DIAGRAM
DATE: 10-24-00
DRAWING: Z4892-PCB

THIS DRAWING CONTAINS INFORMATION OF A PROPRIETARY NATURE TO FENDER MUSICAL INSTRUMENTS AND IS LOANED TO YOU BY FENDER MUSICAL INSTRUMENTS. IT IS NOT TO BE REPRODUCED OR TRANSMITTED IN ANY FORM OR BY ANY MEANS WITHOUT THE WRITTEN PERMISSION OF FENDER MUSICAL INSTRUMENTS.

Fender
MUSICAL INSTRUMENTS
Corona, CA U.S.A.

TITLE: SERVICE DIAGRAM, COMBINED (PCB Assy)
SUPER REVERB AMPLIFIER
CHECKED BY: *HWA*
DATE: 27-OCT-00
APPROVED BY: *HOLACHT*
DATE: 10/27/2000
DRAWING: A. BARNUM / C. B. BUCH
DATABASE FILE: Z4892.PCB

1- SEE SHEET 1 FOR PRIMARY WIRING, TEST CONDITIONS AND TEST POINT VALUES.
NOTES: (UNLESS OTHERWISE NOTED)

2 3 4 5 6 7 8

1 2 3 4 5 6 7 8